

Cylindrical Mount

ECO-SERIES PUFFER E

Properties

- stop buffers, with a single metal plate, are suitable for all types of end stops and for vibration-insulating mounting of small to midsize equipment units
- stop buffers with single threaded stud
- extremely versatile supports used in a wide range of applications
- quick and easy assembly

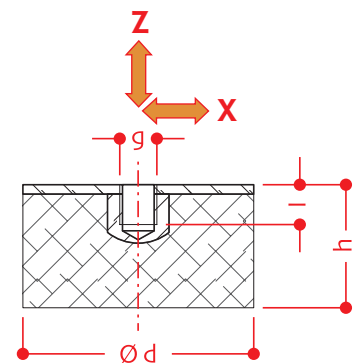
Applications

- cushioning and bumper
- vibration-insulating mounting of small to midsize equipment units



Code - 2FG...
Material - Rubber/Metal
Hardness - 40 ÷ 65 °shore A

ITEM TYPE E	Ø d	h	g	l
	mm	mm		mm
F/G	15	10	M4	4
F/G	20	20	M6	6
F/G	20	25	M6	6
F/G	30	20	M8	6
F/G	40	30	M8	10
F/G	40	40	M8	10
F/G	40	45	M8	10
F/G	45	30	M10	10
F/G	50	25	M10	10
F/G	50	40	M10	10
F/G	60	20	M10	10
F/G	60	30	M12	13
F/G	75	25	M12	13
F/G	75	40	M12	13
F/G	15	15	M14	14



ATAG reserves the right to make changes without notice, by virtue of any quality improvements and/or product specifications • apr_19 rdb