

Cylindrical Mount

ECO-SERIES PUFFER D

Properties

- stop buffers, with a single metal plate, are suitable for all types of end stops and for vibration-insulating mounting of small to mid-size equipment units
- stop buffers with single threaded stud
- extremely versatile supports used in a wide range of applications
- quick and easy assembly

Applications

- cushioning and bumper
- vibration-insulating mounting of small to mid-size equipment units

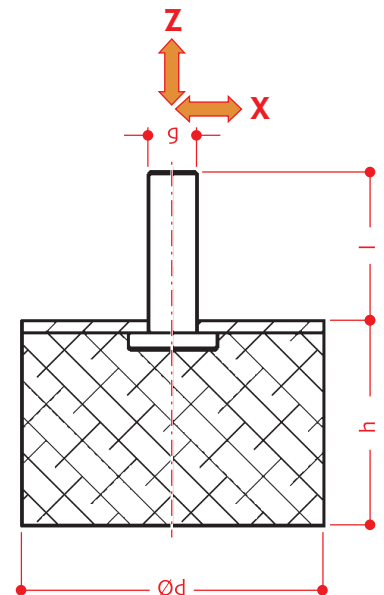
ITEM TYPE D	Ø d	h	g	l
	mm	mm		mm
M/G	10	10	M4	10
M/G	13	10	M5	10
M/G	15	10	M4	10
M/G	15	15	M4	10
M/G	20	15	M6	12
M/G	20	15	M6	16
M/G	25	15	M6	18
M/G	25	15	M6	18
M/G	25	20	M6	16
M/G	30	15	M8	14
M/G	30	25	M8	23
M/G	30	30	M8	23
M/G	30	30	M8	10
M/G	30	30	M8	35
M/G	30	30	M8	40
M/G	40	15	M8	23
M/G	40	30	M8	23
M/G	50	15	M10	25
M/G	50	20	M10	25
M/G	50	20	M10	20
M/G	50	30	M10	25
M/G	50	40	M10	25
M/G	50	50	M10	30
M/G	60	20	M10	25
M/G	60	30	M12	40
M/G	60	40	M10	25
M/G	60	50	M12	37
M/G	70	40	M10	25
M/G	70	40	M12	37
M/G	70	50	M10	25
M/G	75	50	M12	37
M/G	100	50	M16	57



Code - 2MG....

Material - Rubber/Metal

Hardness - 40 ÷ 65 °shore A



ATAG reserves the right to make changes without notice, by virtue of any quality improvements and/or product specifications • apr_19 rdb