

Cylindrical Mount

ECO-SERIES PUFFER A

Properties

- shock-isolating buffers with threaded stud on both sides
- extremely versatile supports used in a wide range of applications
- quick and easy assembly
- in many cases makes up for the missing measures of the premium series

Applications

- elastic fixation and shock-isolating mounting of small to midsize equipment units such as electric motors, internal combustion engines, compressors, pumps, measuring devices, switchboards, control panels, instruments generally

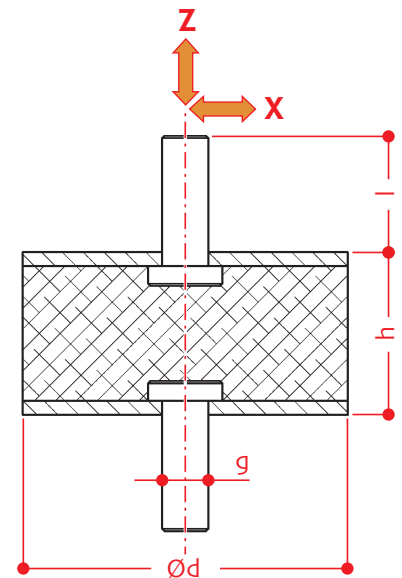


Code - 2MM0....

Material - Rubber/Metal

Hardness - 40 ÷ 65 °shore A

ITEM TYPE A	Ø d	h	g	l
	mm	mm		mm
MM	10	10	M 4	10
MM	13	15	M 5	12
MM	15	8	M 4	10
MM	15	10	M 4	14
MM	15	15	M 4	14
MM	15	20	M 6	12
MM	16	10	M 5	10
MM	20	10	M 6	16
MM	20	15	M 6	16
MM	20	20	M 6	16
MM	20	25	M 6	16
MM	25	10	M 6	18
MM	25	15	M 6	18
MM	25	20	M 6	18
MM	25	25	M 6	18
MM	25	30	M 6	18
MM	30	10	M 8	25
MM	30	15	M 8	23
MM	30	20	M 8	23
MM	30	25	M 8	23
MM	30	30	M 8	23
MM	40	20	M 8	18
MM	40	20	M 8	23
MM	40	30	M 8	23
MM	40	40	M 8	23

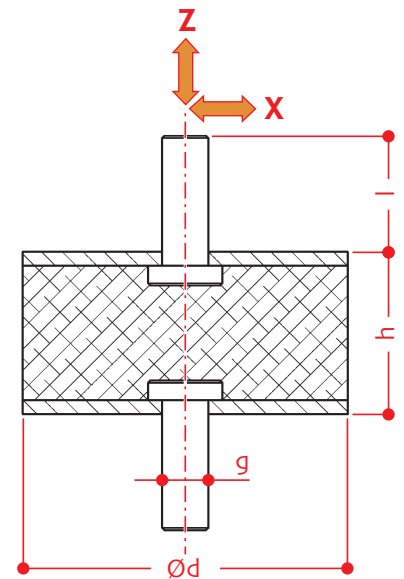


continued on next page

Cylindrical Mount

ECO-SERIES PUFFER A

ITEM TYPE A	Ø d	h	g	l
	mm	mm		mm
MM	45	30	M 8	23
MM	50	20	M 10	25
MM	50	25	M 10	25
MM	50	30	M 10	25
MM	50	30	M 10	35
MM	50	40	M 10	25
MM	50	45	M 10	25
MM	50	50	M 10	25
MM	60	30	M 12	37
MM	60	40	M 10	25
MM	60	50	M 12	37
MM	60	60	M 10	25
MM	70	40	M 12	37
MM	70	45	M 10	25
MM	75	25	M 12	37
MM	75	40	M 12	37
MM	75	50	M 12	37
MM	75	55	M 12	37
MM	100	30	M 16	37
MM	100	40	M 16	45
MM	100	50	M 16	45
MM	100	55	M 16	45
MM	100	60	M 16	45
MM	105	55	M 16	45



ATAG reserves the right to make changes without notice, by virtue of any quality improvements and/or product specifications • apr_19 rdb