

Cylindrical Mount

## PUFFER DS



### Properties

- stop buffers with suction feet are suitable for non-slip and vibration-insulating mounting of small to midsize equipment units
- allows for greater immobilization of the machinery thanks to the effect sucker
- the particular shape allows the puffer to have different elastic mass and, consequently, a frequency different from the other PUFFER with different behaviors in response to vibrations

### Applications

- cushioning and bumper
- vibration-insulating mounting with suction effect of small to midsize equipment units

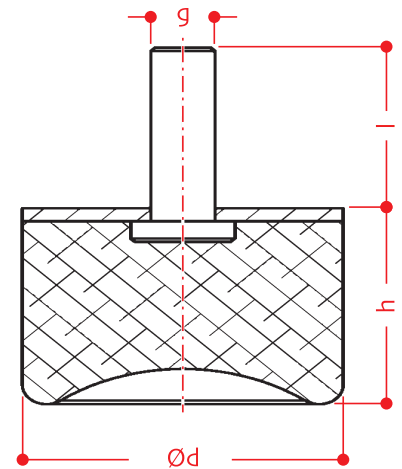


**Code - C2DS0....**

**Material - Rubber/Metal**

**Hardness - 40 ÷ 65 shore A**

ITEM	Ø d <i>mm</i>	h <i>mm</i>	l <i>mm</i>	g
25326	15	14	13	M 4
31658	20	23	19	M 6
20292	25	18	18.5	M 6
31660	30	28	20.5	M 8
20291	40	28	24.5	M 8
25333	50	28	34	M 10
20290	70	43	25	M 10
25327	75	37	37	M 12
25335	100	50	43	M 16



*continued on next page*

## Cylindrical Mount

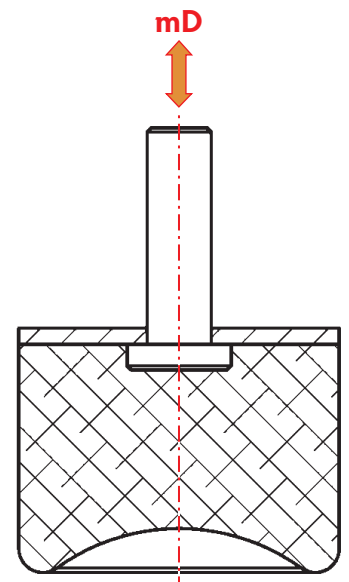
# PUFFER DS



### Loads Table

Values of SUBSIDENCE values [s] in mm and NATURAL FREQUENCY [Vc] in cycles/min according to the shape and hardness of the rubber

ITEM	mD - COMPRESSION forces						
	kg	40 shore A		55 shore A		65 shore A	
		s	Vc	s	Vc	s	Vc
25326	1,5	0,58	1242	0,32	1685	0,21	2062
	4,5	1,73	754	0,96	960	0,64	1180
	9,0	3,14	573	1,88	729	1,29	824
31658	3,0	0,83	1016	0,45	1406	0,30	1734
	9,0	2,68	567	1,41	761	0,92	962
	15	4,42	457	2,44	592	1,59	710
20292	5	0,97	969	0,54	1298	0,37	1581
	15	2,77	627	1,58	763	1,07	924
	25	4,07	562	2,56	620	1,76	724
31660	7	1,63	757	0,92	1003	0,62	1216
	21	4,46	487	2,62	605	1,79	724
	35	6,69	403	4,14	503	2,90	577
20291	10	1,46	804	0,82	1062	0,56	1285
	30	3,99	513	2,33	644	1,60	769
	60	7,14	380	4,32	496	3,05	569
25333	20	1,82	724	1,03	952	0,70	1149
	60	4,79	488	2,88	584	1,99	694
	100	7,15	389	4,46	499	3,19	558
20290	35	2,35	640	1,33	838	0,91	1010
	110	6,45	415	3,86	508	2,69	601
	190	10,03	328	6,17	422	4,40	479
25327	40	2,15	672	1,22	877	0,83	1055
	120	5,62	446	3,38	545	2,35	644
	220	9,06	347	5,65	445	4,05	503
25335	75	2,70	575	1,57	782	1,08	891
	225	7,74	398	4,67	470	3,18	559
	400	11,72	342	7,39	378	5,58	418



ATAG reserves the right to make changes without notice, by virtue of any quality improvements and/or product specifications • nov\_18 rdb